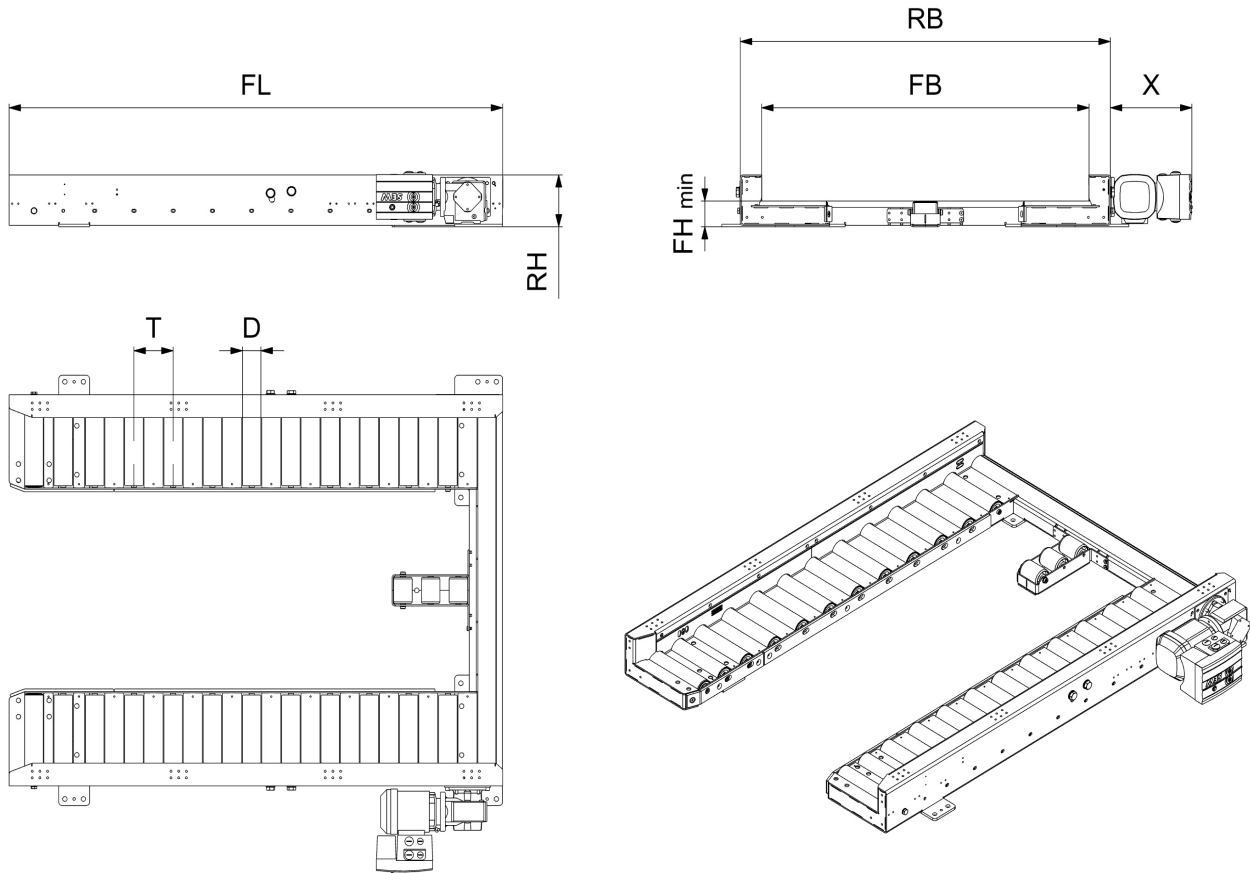




### Loading and unloading pallets close to the floor by AGVs

- Suitable for the feeding and removal of full and empty pallets (e.g. Euro, industrial and half pallets).
- Load capacity up to 1,500 kg per parking space.
- For manual loading of the pallets, a hand pallet truck or an electric fork lift can be used.
- The transfer or pick-up of pallets by AGVs is also possible.
- The support rollers on the drive side are driven directly via the gear motor mounted on the side.
- The opposite idlers are driven by an overdrive idler.
- Adjustable uprights are used to compensate for uneven floors.
- The drive is positioned on the right in the conveying direction or optionally on the left.
- Simple installation by dowelling to the hall floor.
- Use at normal room temperature and down to -30 °C in the deep-freeze area.
- Surface sendzimir galvanised or powder-coated in your RAL colour.
- Special design on request.



**List of abbreviations**

<b>FGB</b>	= conveyed material width	<b>RH</b>	= frame height	<b>FGG</b>	= conveyed material weight per storage location
<b>FB</b>	= conveying width	<b>FL</b>	= conveying length		
<b>RB</b>	= frame width	<b>T</b>	= division of roles		
<b>FHmin</b>	= minimum conveying height	<b>D</b>	= outer diameter of the idler roller		

**Standard dimensions in mm (Special versions are possible on request)**

Typ	Conveyed material	Dimensions								Carrying capacity in kg	
		Nr.	FGB	FB	RB	FL	FHmin	RH	T		D
614.01	800		800	860	1000	1400 / 1600	80	155	127	60	1500
614.02	800		800	860	1000	2550 / 2800	80	155	127	60	1500
614.11	1000		1000	1060	1200	1400 / 1600	80	155	127	60	1500
614.12	1000		1000	1060	1200	2550 / 2800	80	155	127	60	1500
614.21	1200		1200	1260	1400	1400 / 1600	80	155	127	60	1500
614.22	1200		1200	1260	1400	2550 / 2800	80	155	127	60	1500